

www.mfc-flow.com

MFC FLOW

MF 300Series

Mass Flow Controller / Mass Flow Meter



MFC FLOW

#46, Hanbat-daero 1174beon-gil, Daedeok-gu, Daejeon, Korea

Tel. +82-42-621-7396 Fax. +82-42-621-7397

Mobile. +82-10-3412-7396

E-mail. mfcflow@mfc-flow.com

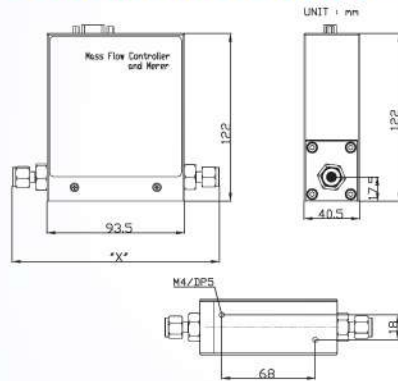


Mass Flow Controller MF-300C

» Features

- Fast Response Time
- Accurate Low Error Rate for Each Section
- Stable Flow Control
- Wide Pressure Range
- Excellent Corrosion Resistance
- Excellent Linearity
- Excellent Temperature Control Sensor

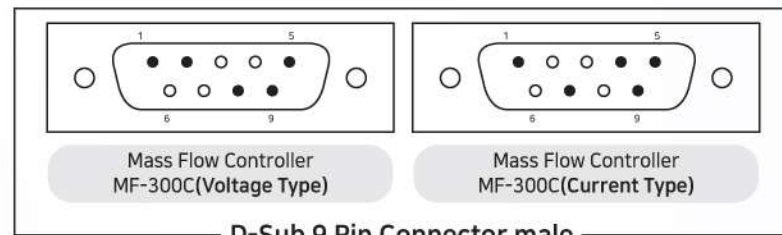
» Dimensions drawing



» Product Specifications

MODEL	MF-300C
Flow Range (N2 Equivalent)	30 SLPM~100 SLPM
Flow Control Range	2%~100% of Full Scale
Accuracy	±1.0% of Full Scale
Linearity	±0.2% of Full Scale
Repeatability	±0.2% of Full Scale
Response Time	≤ 2 sec
Normal Operating Temperature Rang	0~50°C (Accuracy Guaranteed: 15~35°C)
Normal Operating Pressure Rang	0bar~100bar
Leak Rate	1x10 ⁻¹⁰ Pa.m ³ /sec(He)
Power supply	+15Vdc or +24Vdc / 300mA
Signal Type	0~5Vdc or 4~20mA
Sealing Material	Viton / Buna / kalrez / Teflon / Epdm
Control Type	Normally Closed Solenoid
Connector Type	D-Sub 9 Pin Connector Male
Fittings Type	1/2", 1/4", 3/8" Swagelok 1/4", 1/2" VCR
Interface Type	Analog
Material of Main Parts	SUS 316L
Warm-up Time	30 min

» Electrical Connections



Pin No.	Electrical Connections	Voltage Type	
		MF-300C	MF-300C
1	Signal Common	•	•
2	0~5Vdc Signal Out	•	x
3	Valve override	options	options
4	4~20mA Signal Out	x	•
5	+15Vdc or +24Vdc / 300 mA Power Supply	•	•
6	Classis Ground	options	options
7	4~20mA Signal In	x	•
8	0~5Vdc Signal In	•	x
9	Power Common	•	•

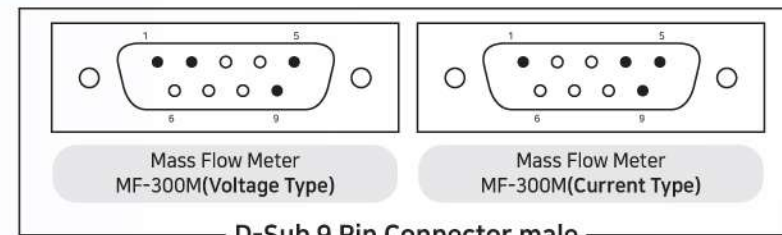


Mass Flow Meter MF-300M

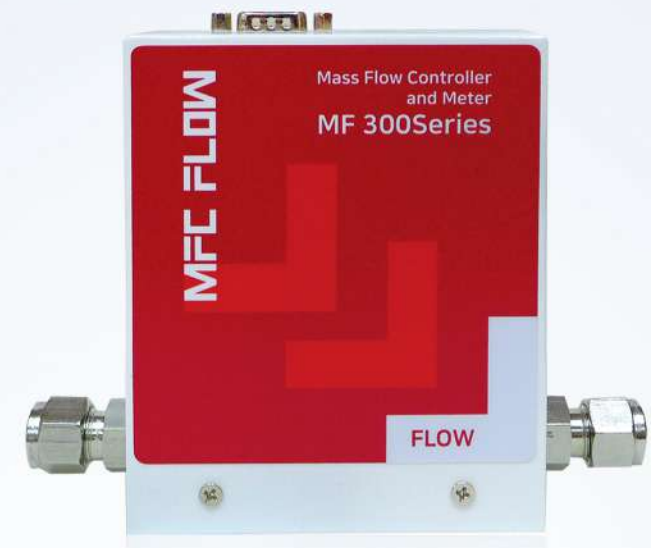
» Product Specifications

MODEL	MF-300M
Flow Range (N2 Equivalent)	30 SLPM~100 SLPM
Flow Control Range	2%~100% of Full Scale
Accuracy	±1.0% of Full Scale
Linearity	±0.2% of Full Scale
Repeatability	±0.2% of Full Scale
Response Time	≤ 2 sec
Normal Operating Temperature Rang	0~50°C (Accuracy Guaranteed: 15~35°C)
Normal Operating Pressure Rang	0bar~100bar
Leak Rate	1x10 ⁻¹⁰ Pa.m ³ /sec(He)
Power supply	+15Vdc or +24Vdc / 300mA
Signal Type	0~5Vdc or 4~20mA
Sealing Material	Viton / Buna / kalez / Teflon / Epdm
Control Type	Normally Closed Solenoid
Connector Type	9 Pin D-SUB Connector Male
Fittings Type	1/2", 1/4", 3/8" Swagelok 1/4", 1/2" VCR
Interface Type	Analog
Material of Main Parts	SUS 316L
Warm-up Time	30 min

» Electrical Connections



Pin No.	Electrical Connections	Voltage Type	
		MF-300M	MF-300M
1	Signal Common	•	•
2	0~5Vdc Signal Out	•	x
3	Valve override	x	x
4	4~20mA Signal Out	x	•
5	+15Vdc or +24Vdc / 300 mA Power Supply	•	•
6	Classis Ground	options	options
7	4~20mA Signal In	x	x
8	0~5Vdc Signal In	x	x
9	Power Common	•	•



» Features

- Fast Response Time
- Accurate Low Error Rate for Each Section
- Stable Flow Control
- Wide Pressure Range
- Excellent Corrosion Resistance
- Excellent Linearity
- Excellent Temperature Control Sensor

» Dimensions drawing

