

MFC FLOW



RD-2000

Flow Controller & Power Supply



www.mfc-flow.com



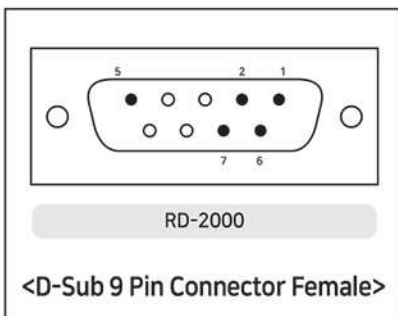
» Features

- A device that can control MFC precisely with stable power supply
- Each channel has independent power supply
- Accurate precision and reproducibility can be achieved by using high resolution A / D and D / A converters
- Consists of simple operation function for user's convenience
- Support RS-232C communication function
- Various selection options(Power : $\pm 15\text{Vdc}$ or $+24\text{Vdc}$, RS-232C Communication, Program for PC , Accumulation function)

» Product Specifications

MODEL	RD-2000
Display Window	4Digit-7 Segment led Display Module
Display Repeatability	$\pm 0.1\%$ of Full Scale
Units of Display	SCCM,SLPM,%
Input Power	220VAC(50~60Hz)
Input Signal	0~5Vdc for MFC
Output Power	$\pm 15\text{Vdc}@1.05\text{A}$ (Option: $+24\text{Vdc}$)
Output Signal	0~5Vdc for MFC
Connector Type	D-Sub 9 Pin Connector Female(To MFC)

» Electrical Connections



Electrical Connections		
Pin NO.		Function
1	Yellow	Signal Ground
2	Blue	Power Ground
3		-15 Vdc Power Supply
4		Ground
5	Red	+15Vdc Power Supply(+24 Vdc:Option)
6	White	0~5Vdc Signal Out
7	Black	0~5Vdc Signal In
8		Ground
9		Chassis Ground

» Dimensions drawing

